

Speaker

Model: OSS19-5723-14A2.0W8-C



ELECTRICAL SPECIFICATIONS

	Condition	Parameter	Unit
Sound Pressure Level	at 1.0W, 0.1M [at 0.8, 1.0, 1.2, 1.5KHz]	98 ± 3	dB
Impedance	at 1V, 1000Hz	8 ± 15%	Ω
Rated Input Power		2	W
Max Input Power		3	W
Resonant Frequency (Fo)	at 1V	700 ± 20%	Hz
Frequency Range		Fo ~ 20000	Hz
Buzzer & Rattles	not be audible at sine wave between Fo ~ 20KHz	4	V
Operating Temperature		-20 ~ 60	°C
Magnet		Nd-Fe-B	
Frame Material		ABS	
Cone Material		Cloth	
Weight		28	g

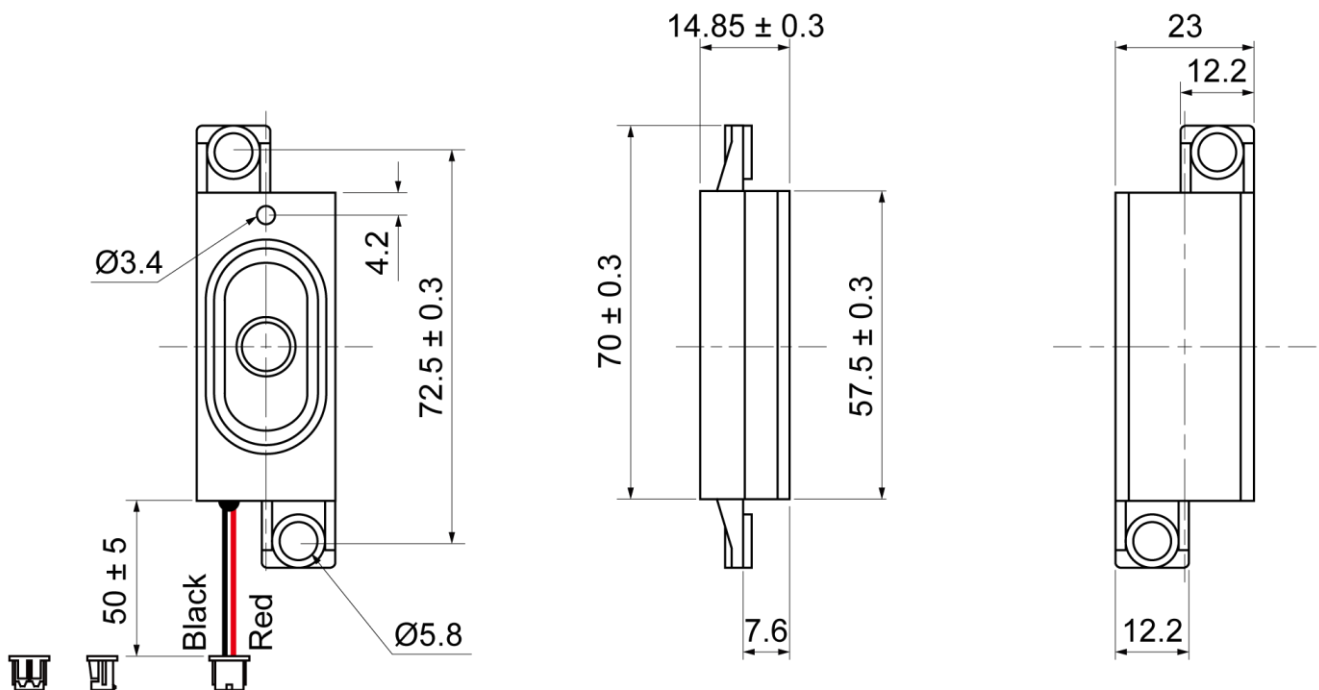
MECHANICAL DRAWING

Dimensions in mm

Wire: 50mm, UL1571, AWG#28

Tolerance ±0.5mm Except Specified

Connector: molex 51021-0200 substitute



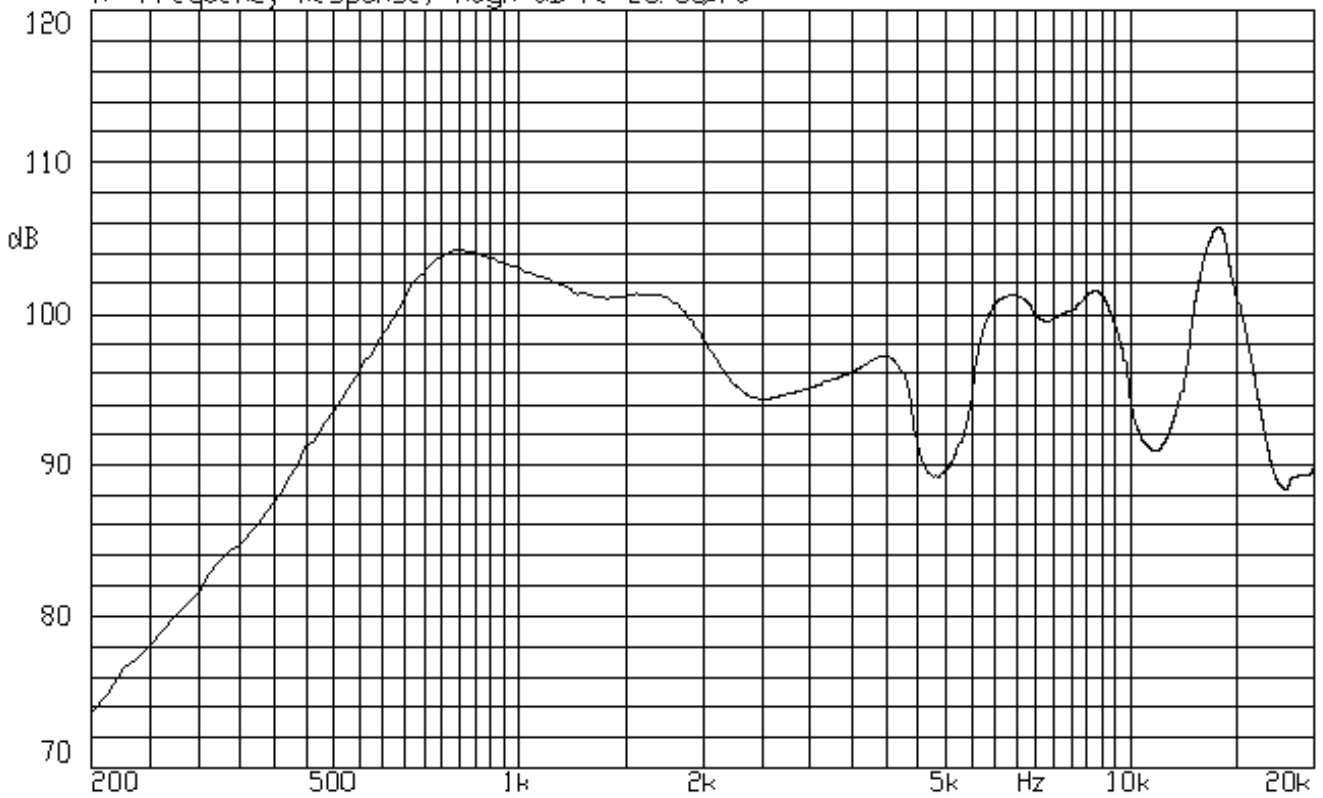
Speaker

Model: OSS19-5723-14A2.0W8-C

FREQUENCY RESPONSE CURVE

YGDA2040YX-01 1W 0.1m 2.83V

A: Frequency Response, Magn dB re 20.00µPa



17-APR-2008 16:04:30

Mode: TSR

